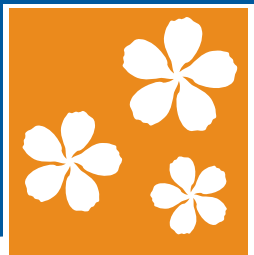


# Pushpam

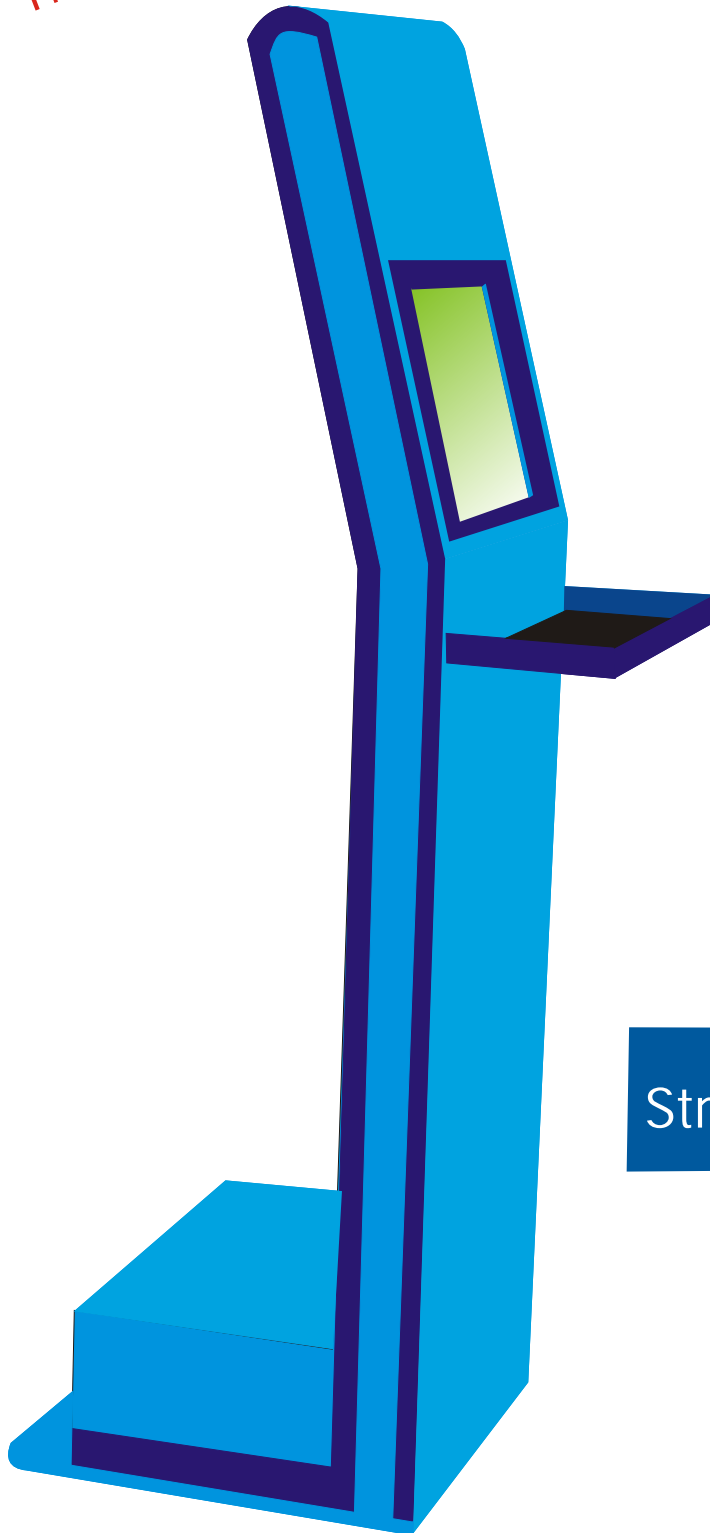
Expanding IT Horizon



**PUSHPAM**

Estd. 1990

Information Kiosk Cabinet - Taurus

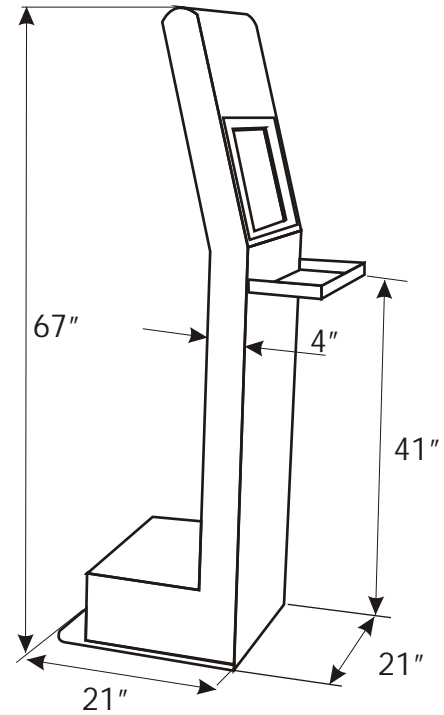


Strong, Attractive, Eye-catching

Description	Moderate, efficient configuration
Models available in	Metal/ Fiber/ Wood
Dimensions	
Width	21"
Height	67"
Depth	21"
Weight	
Loaded	40 Kg.
Empty	25 Kg.
Wall thickness	2-18 mm
Floor Space	?1" x ?1 "
Color/Base Shape	Complete flexibility on choices for all surfaces using high quality colors. Color shades as per users choice
Locking	Locking system for PC with keyboard/ mouse/ amplifier for the maintenance
PC Acceptance	Can take any standard PC PIII/P4/Celeron with Minitower or ATX Cabinet
Monitor	15"/ 17"/ 19" LCD monitor with or without touchscreen
Multimedia Speaker	Multimedia speaker with amplifier added/optional
Keyboard (for User interface)	Applicable
Mouse (for User interface)	Applicable/ N/A
Numeric Keypad (for User interface)	Applicable/ N/A
Power	Standard 230 V A/C power supply
Internet/Telephone	Optional Internet/Lan/Telephone/GPRS/ CDMA modem on request
UPS	UPS normally suggested to put out side of the cabinet optionally can be put inside the Cabinet
Advertise/Branding	In vinyl cutting/ vinyl printing/ 4 color printing Backlit/frontlit
Other	Swipe Card Reader, Videoconference Camera, Other devices like IC Card Reader,Thermal Printer etc. Can be put by making modification in design

## Taurus Kiosk Cabinet

Strong, Attractive, Eye-catchy



Fiber/ Wooden/ Metal

Note : All the technical and commercial specifications of the product displayed within the brochure, box, media, color, price, etc. are subject to change without any prior notice. No claims would be entertained by Pushpam and/or it's principal vendors in this regards. For all technical and commercial matter, jurisdiction would be Pune city only.

### Pushpam Group of Companies

**Pushpam Computers & Softwares**

**Pushpam Infotech Corp.**

**Pushsoft Technologies**

635/1-B, New Gajra Society, Bibwewadi, Pune - 411037  
 Tel. No. 91+20+2421-1279/5162/0280  
 Fax: 91+20+24216455  
 Email: pushsoft@eth.net,  
 sachin@pushpam.com

Pushpam a 15 year old group is working in the various fields of Information Technology . Software development, Gas distribution, Computer hardware imports/ distribution , manufacturing of ayurvedic medicines, food processing and export etc. Working in cutting edge technology products, Pushpam always aggressive and efficient towards all the projects. In IT sector Pushpam is active since last 14 years and is currently working on technologies like Information Kiosk / Transaction Kiosk /Touch screens, POS products like Thermal printers, barcode scanners, Customer display, complete POS systems and Multi port serial card solutions. Pushpam is already in to imports of all these products from Taiwan and other parts of the world and offers the complete solution and best support for all these products. Pushpam has always believed in the best product and best support at the best price.