

Pushpam

Expanding IT Horizon



PUSHPAM

Estd. 1990

Bar Code Scanner - TS 2100



Features

- High quality and high performance
- Full featured and full function
- Wave length : 660 nm
- Scan speed: 100 scans per second
- Reading depth: 4 cm upto 19 cm, depend on different resolutions
- Reading width: Upto 9.8 cm
- Reading PCS: 0.45 or larger reflection factor of space and margin
- Interfaces support: Keyboard wedge; RS 232, Wand Emulsion, TTL, USB
- Auto discriminate among all common barcode symbolgies

Extra Long Range CCD

4 ~ 19 cm

Bar Code Scanner TS-2100

Specifications

Optical

Nominal scan range	100 Scans/sec.
Wavelength	660nm+- 10nm for CCD
Maximum pitch	+ - 65 degrees
Maximum skew	+ - 50 degrees
Photo sensor	3,648 pixels CCD
Reading depth	2 cm up to 32 cm, depend on different resolutions
Reading width	Up to 20 cm
Reading PCS	0.45 or larger reflection factor of space and margin

Engineering Design

Power Source	+ -5V DC +-5%
Processor	80C32
Decoder	Proprietary
Body Material	ABS
Current consumption	220mA
Weight	160g without cable

Operating Environment

Operating Temp	0 to 40 Degree Celsius
Storage Temp	-20 to 65 Degree Celsius
Relative Humidity	5% to 95% non-condensing
EMI Emission	FCC class A
Ambient Light	3000 to 8000 Lux
Connectivity	DB9, DB25, AMP, DIN5, Mini-Din 6 pin and etc.

Readable Barcodes

Code 39, Full ASCII Code 39, UPC/EAN/JAN, CODABAR, Interleaved 2/5, Code 128, Code 11, Code 93, MSI/PLESSEY, Code 4 and etc. Special code can be requested.

Interfaces

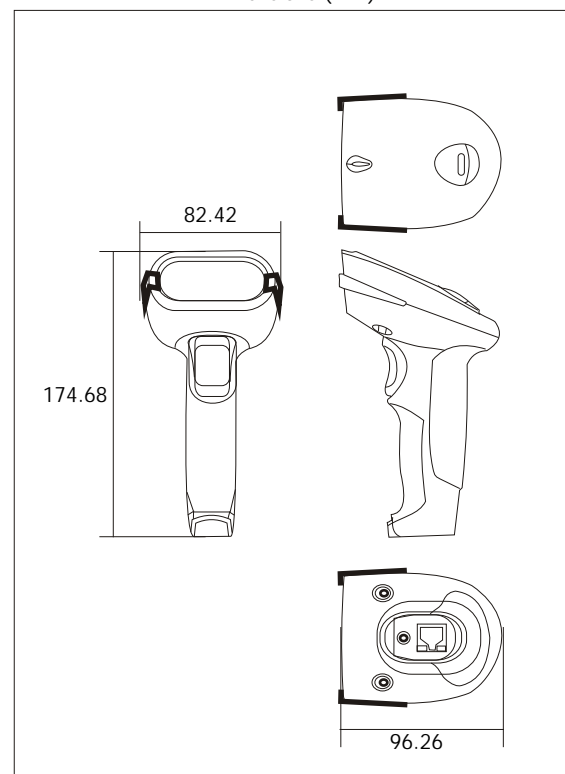
TS-2100K	Keyboard wedge (PS/2)
TS-2100R	RS-232
TS-2100U	USB

Features:

Barcode hand-held scanner with extra long range reading performance extra-range CCD engine can be upon OEM request

- High quality and high performance
- Full Featured and full function
- Auto-discriminates among all common barcode symbologies.

Dimensions (mm)



Note : All the technical and commercial specifications of the product displayed within the brochure, box, media, color, price, etc. are subject to change without any prior notice. No claims would be entertained by Pushpam and/or its principal vendors in this regards. For all technical and commercial matter, jurisdiction would be Pune city only.

Pushpam Group of Companies

Pushpam Computers & Softwares

Pushpam Infotech Corp.

Pushsoft Technologies

635/1-B, New Gajra Society, Bibwewadi, Pune - 411037
Tel. No. 91+20+2421-1279/5162/0280
Fax: 91+20+24216455
Email: pushsoft@eth.net,
sachin@pushpam.com

Pushpam a 15 year old group is working in the various fields of Information Technology . Software development, Gas distribution, Computer hardware imports/ distribution , manufacturing of ayurvedic medicines, food processing and export etc. Working in cutting edge technology products, Pushpam always aggressive and efficient towards all the projects. In IT sector Pushpam is active since last 14 years and is currently working on technologies like Information Kiosk / Transaction Kiosk /Touch screens, POS products like Thermal printers, barcode scanners, Customer display, complete POS systems and Multi port serial card solutions. Pushpam is already in to imports of all these products from Taiwan and other parts of the world and offers the complete solution and best support for all these products. Pushpam has always believed in the best product and best support at the best price.