

# Pushpam

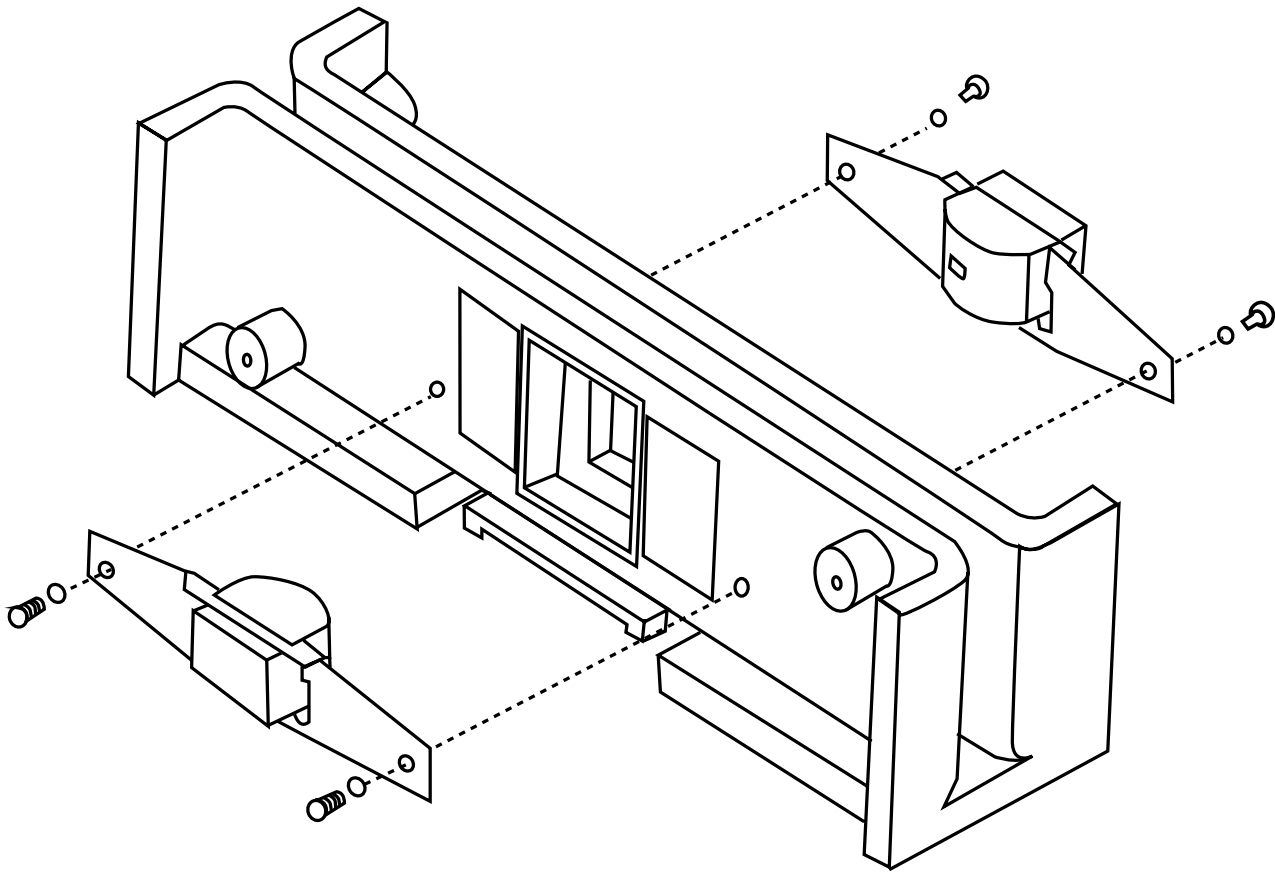
Expanding IT Horizon



**PUSHPAM**

Estd. 1990

Magnetic Card Reader - Dual/Triple Track



More Convenient with Lower Price

# Magstripe Card Reader/Writer

# Specifications

## TTL Series

Recording Method	Two-frequency coherent phase (F2F)
	Compatible with ISO 7810/7811/7812/7813, JIS X630 1/6302
Power	Single Track +5VDC +-5% 2.5mA
	Dual Track +5VDC +-5% 4.7mA
Output	Vol(Max) = 0.4V At IOL = 2mA
	Voh(Min) = VDD = 0.4V At VDD = Min
Dimensions (Two Versions)	100 mm L x 28 mm H x 34 mm W (Width Cover)
	90 mm L x 24 mm H x 22 mm W (Without Cover)
Wire Length	210 mm (Without Cover)
	560mm (With Cover)
Connector	Single Track: 5 Pin or 7 Pin Housing
	Dual Track : 7 Pin Housing
Configurations:	Single Track : Track 1, 2 or 3, JIS0II
	Dual Track : Track 1 & 2 or 2 & 3

## MSRD Series(Decoded Reader)

Compatibility	PC AT/XT/PS2/Machintosh
Power	No external requirements Keyboard Wedge Reader
	+ 5 VDC +- 20% 25 mA RS-232 Reader
Output	Emulate keyboard output Keyboard Wedge Reader
	Baud Rate 1200/2400/4800/9600 RS-232 Reader
Dimensions	158 mm from reader to PC
	30 mm from reader to keyboard cable
Connrector	5 Pin Din Plug for PC
	5 Pin Din Socket for Keyboard
Configurations	Single Track: Track 1, 2 or 3, JIS-II
	Dual Track : Track 1 & 2, or 2 & 3
	Triple Track : Track 1 & 2 & 3

## Features

MCRD Series (TTL Reader)

Dual-Head swipe design

Module housing is available in 90 mm and 100 mm length, suitable for most applications

Mask IC for dual channel F2F amplification and decoding.

Support reading card with 210 BPI and 75 BPI recording density.

Optional models with single and dual track configuration

MSRD Series (Decoded Reader)

Duale-Head swipe design.

Available interfaces for keyboard wedge and RS-232

Dip switches setting is easily changed by users.

Optional models with single, dual and triple track configuration.

Note : All the technical and commercial specifications of the product displayed within the brochure, box, media, color, price, etc. are subject to change without any prior notice. No claims would be entertained by Pushpam and/or its principal vendors in this regards. For all technical and commercial matter, jurisdiction would be Pune city only.

## Pushpam Group of Companies

**Pushpam Computers & Softwares**

**Pushpam Infotech Corp.**

**Pushsoft Technologies**

635/1-B, New Gajra Society, Bibwewadi, Pune - 411037  
Tel. No. 91+20+2421-1279/5162/0280  
Fax: 91+20+24216455  
Email: pushsoft@eth.net,  
sachin@pushpam.com

Pushpam a 15 year old group is working in the various fields of Information Technology . Software development, Gas distribution, Computer hardware imports/ distribution , manufacturing of ayurvedic medicines, food processing and export etc. Working in cutting edge technology products, Pushpam always aggressive and efficient towards all the projects. In IT sector Pushpam is active since last 14 years and is currently working on technologies like Information Kiosk / Transaction Kiosk /Touch screens, POS products like Thermal printers, barcode scanners, Customer display, complete POS systems and Multi port serial card solutions. Pushpam is already in to imports of all these products from Taiwan and other parts of the world and offers the complete solution and best support for all these products. Pushpam has always believed in the best product and best support at the best price.

**Pushpam**  
Expanding IT Horizon

