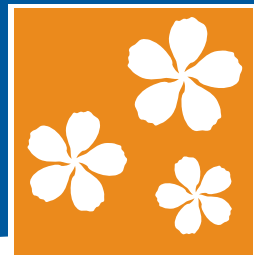


# Pushpam

Expanding IT Horizon



**PUSHPAM**

Estd. 1990

Laser Bar Code Scanner - LAG - 960



High Performance Laser Scanner

# Bar Code Laser Scanner LAG-960

# Specifications

Optical	+5V DC, +-5%	
Resolution & Reading Depth		
Series	Max Resolution	Max. Depth for 40mil
LAG-960LR	6 mil (0.15 mm)	230 cm
LAG-960MR	4 mil (0.1 mm)	100 cm
LAG-960NR	5 mil (0.125mm)	38 cm
LAG0-960TR	4 mil (0.1mm)	25 cm

Nominal Scan Rate	100 or 33 scans/sec
Wavelength	670nm+- 10nm
Maximum pitch	+ -65 degrees
Maximum skew	+ -50 degrees

Engineering Design	
Power Source	+5V DC, +-5%
Processor	Intel 80C31
Decoder	Proprietary
Body Material	ABS
Current Consumption	55mA~90mA (Max) for undecoded
Weight	140g without cable
Shock Resistance	1 meter drop onto concret

**Readable Barcodes**  
Code 39, Full ASCII Code 39, UPC/EAN/JAN, CODABAR, Interleaved 2/5, Code 128, Code 11, Code 93, MSI/PLESSEY, Code 4 etc.

Operating Environment	
Operating Temp	0 to 50 Degree Celsius
Storage Temp	-20 to 65 Degree Celsius
Relative Humidity	5% to 95% non-condensing
EMI Emission	FCC class A
Ambient Light	3000 to 8000 Lux
Connectivity	DB9, DB25, AMP, RJ-45, RJ-11, DIN5

Series	
LAG-960LR	Long Range >- 230 cm
LAG-960MR	Middle Range >- 100 cm
LAG-960NR	Normal Range >- 38 cm
LAG-960TR	User adjustable trigger and triggerless reading range >- 25 cm

Models by interfaces	
LAG-960T	Undecoded model with TTL Output
LAG-960W	Wand emulation with built in decoder
LAG-960R	RS-232 interface with built in decoder
LAG-960K	Keyboard wedge with built in decoder
LAG-960K/R/W	Keyboard/RS-232/Wand, Three in one
LAG-960U	USB interface

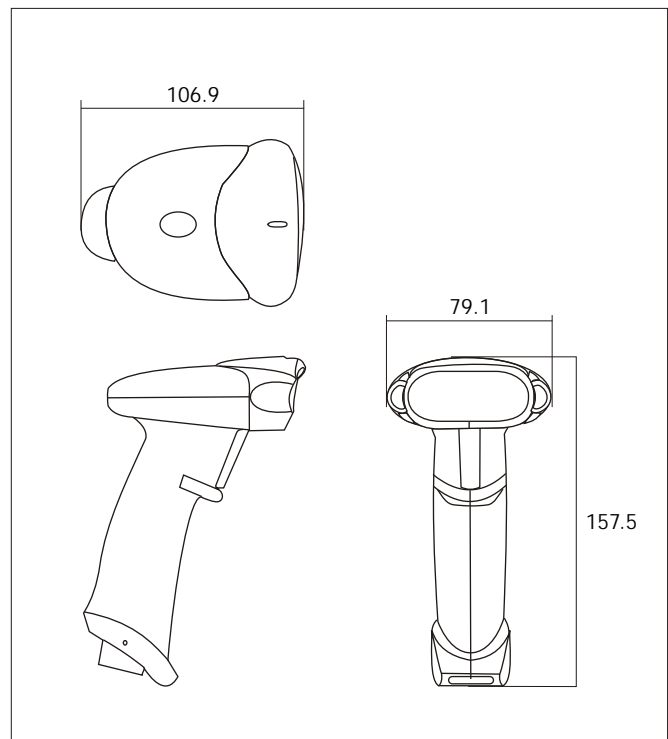
**Features:**  
High quality and high performance  
Full featured and full functions

Wave length 670 mm  
Scan speed 100 or 33 scans per second  
Reading depth 0 to over 65 mm for contact reading  
Reading width Up to 65 mm for contact reading  
Up to 250 mm for reading depth of 380 mm  
Reading PCS 0.45 or larger reflection factor of space and margin

Interfaces support Keyboard wedge, RS-232, Wand emulation, TTL, USB etc.

Full functions of built in decoder, software configuration, support reading most types of barcode

Dimensions (mm)



Note : All the technical and commercial specifications of the product displayed within the brochure, box, media, color, price, etc. are subject to change without any prior notice. No claims would be entertained by Pushpam and/or its principal vendors in this regards. For all technical and commercial matter, jurisdiction would be Pune city only.

## Pushpam Group of Companies

### Pushpam Computers & Softwares

### Pushpam Infotech Corp.

### Pushsoft Technologies

635/1-B, New Gajra Society, Bibwewadi, Pune - 411037  
Tel. No. 91+20+2421-1279/5162/0280  
Fax: 91+20+24216455  
Email: pushsoft@eth.net,  
sachin@pushpam.com

Pushpam a 15 year old group is working in the various fields of Information Technology . Software development, Gas distribution, Computer hardware imports/ distribution , manufacturing of ayurvedic medicines, food processing and export etc. Working in cutting edge technology products, Pushpam always aggressive and efficient towards all the projects. In IT sector Pushpam is active since last 14 years and is currently working on technologies like Information Kiosk / Transaction Kiosk /Touch screens, POS products like Thermal printers, barcode scanners, Customer display, complete POS systems and Multi port serial card solutions. Pushpam is already in to imports of all these products from Taiwan and other parts of the world and offers the complete solution and best support for all these products. Pushpam has always believed in the best product and best support at the best price.