

Pushpam

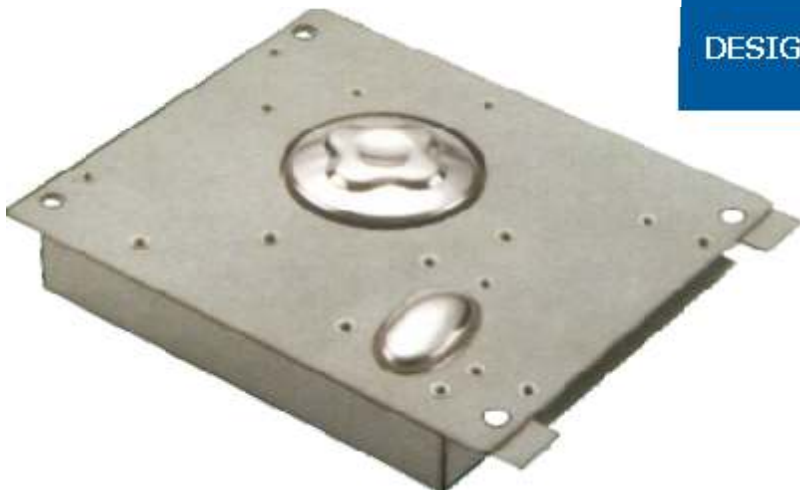
Expanding IT Horizon



PUSHPAM

Estd. 1990

Kiosk Accessories - Metal Mouse

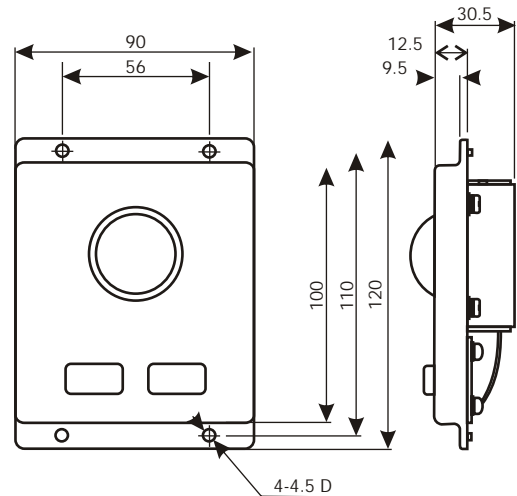


DESIGNED FOR THE PUBLIC ACCESS TERMINAL

Features

Track Ball - TK 005

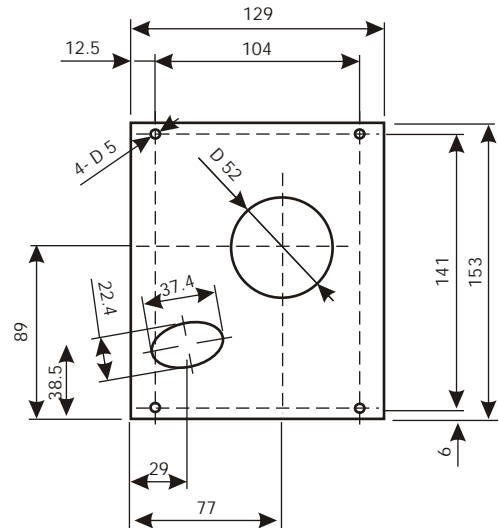
- Specifically designed for the public environment
- Water proof, dust proof design
- 36 mm phenol ball (optional 38 mm)
- Front plate: zinc alloy with Cr Coating, froggy treated surface
- Connection: PS/2 Interface
- Operating Temperature: 0 to 45 degree Celsius
- OSL Window 95/98/NT
- Package Dimension : L 158 x W 122 x H 50 mm



Featuers

Metal Mouse - TK 100

- Specifically designed for the public environment
- Water proof, dust proof design
- Stainless mouse
- Mounted in a steel fascia coated with zinc
- Reliability 500000 operations
- OS : DOS/Windows 95/98/NT
- PS/2 Interface
- Driver: Microsoft PS/2 Mouse
- Compatible
- Package Dimension: L228 x W212 x H 45 mm



Note : All the technical and commercial specifications of the product displayed within the brochure, box, media, color, price, etc. are subject to change without any prior notice. No claims would be entertained by Pushpam and/or it's principal vendors in this regards. For all technical and commercial matter, jurisdiction would be Pune city only.

Pushpam Group of Companies

Pushpam Computers & Softwares

Pushpam Infotech Corp.

Pushsoft Technologies

635/1-B, New Gajra Society, Bibwewadi, Pune - 411037
 Tel. No. 91+20+2421-1279/5162/0280
 Fax: 91+20+24216455
 Email: pushsoft@eth.net,
 sachin@pushpam.com

Pushpam a 15 year old group is working in the various fields of Information Technology . Software development, Gas distribution, Computer hardware imports/ distribution , manufacturing of ayurvedic medicines, food processing and export etc. Working in cutting edge technology products, Pushpam always aggressive and efficient towards all the projects. In IT sector Pushpam is active since last 14 years and is currently working on technologies like Information Kiosk / Transaction Kiosk /Touch screens, POS products like Thermal printers, barcode scanners, Customer display, complete POS systems and Multi port serial card solutions. Pushpam is already in to imports of all these products from Taiwan and other parts of the world and offers the complete solution and best support for all these products. Pushpam has always believed in the best product and best support at the best price.