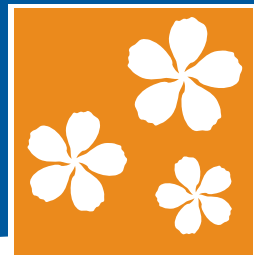


# Pushpam

Expanding IT Horizon



**PUSHPAM**

Estd. 1990

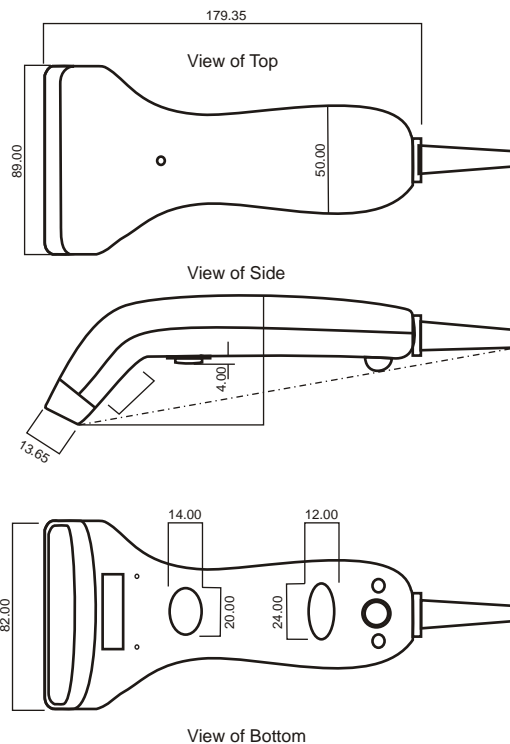
Bar Code Scanner - CCD 80



High Performance

# Bar Code Scanner - CCD 80

# Specifications



## Features:

### Compatibility

Supports a wide range of systems: PC XT/AT, PS/2, Macintosh, POS, Mainframes and Terminals.

### Connectivity

Provides integrated RS-232 and keyboard interfaces for more connectivity options, reducing inventory levels.

### Durability

Portability for rough working environment and can withstand drop test of one meter onto concrete surface.

### Modularity

The connecting cables is detachable, giving the flexibility and convenience to maintain this product.

### Customized

The scanner can be modified according to customer's specification.

### Cost-effective

Powerful features in specified models

Long field depth > 3"

High scan range > 100 scan/sec.

## Engineering Design

Light Source	660nm Red LED Array
Power Source	+5V DC, +-5%
Processor	Intel 8C31
Decoder	Proprietary
Body Material	ABS
Cable	2.0 Meter, Straight
Weight	130g without cable
Interface	TTL, Keyboard Wedge, RS-232, Wand Emulation, OCIA, USB, etc.

## Performance

Scan rate	33 Scan/sec to 100 Scan/sec
Resolution	0.1mm (4 mil) Max.
Print Contrast Ratio	45% Min
Depth of Field	0~15mm (for normal series) 0~75 mm (for long-range series)
Width of Field	82 mm(max.)

Power Consumption	60mA(for low-power series) 120mA (for normal series)
Shock Resistance	1 meter drop onto concrete
Readable Barcodes	Code 39, Full ASCII Code 39, UPC/EAN/JAN, CODABAR, Interleaved 2/5, Code 128, Code 11, Code 93, MSI/Plessey, Code 4

## Operating Environment

Operating Temp	0 to 50 Degree Celsius
Storage Temp	10 to 60 Degree Celsius
Relative Humidity	5% to 95% non-condensing
EMI Emission	FCC class A, CE
Ambient Light	1500 Lux
Connectivity	DB9, DB25, AMP, RJ-45, RJ-11, DIN5, DIN6, PS/2..

## Series

CCD-80E	Economical series
CCD-80D	Long field depth >3 inches
CCD-80S	High scan range > 100 Scan/sec

## Models

CCD-80	TTL output without built-in decoder
CCD-81	Wand-emulation with built-in decoder
CCD-82	RS-232 interface with built-in decoder
CCD-83	Keyboard wedge with built-in decoder
CCD-84	Keyboard and RS-232, Two in One
CCD-85	OCIA Interface
CCD-83U	USB interface
CCD-83NB	Notebook keyboard interface

Note : All the technical and commercial specifications of the product displayed within the brochure, box, media, color, price, etc. are subject to change without any prior notice. No claims would be entertained by Pushpam and/or its principal vendors in this regards. For all technical and commercial matter, jurisdiction would be Pune city only.

## Pushpam Group of Companies

### Pushpam Computers & Softwares

### Pushpam Infotech Corp.

### Pushsoft Technologies

635/1-B, New Gajra Society, Bibwewadi, Pune - 411037  
Tel. No. 91+20+2421-1279/5162/0280  
Fax: 91+20+24216455  
Email: pushsoft@eth.net,  
sachin@pushpam.com

Pushpam a 15 year old group is working in the various fields of Information Technology . Software development, Gas distribution, Computer hardware imports/ distribution , manufacturing of ayurvedic medicines, food processing and export etc. Working in cutting edge technology products, Pushpam always aggressive and efficient towards all the projects. In IT sector Pushpam is active since last 14 years and is currently working on technologies like Information Kiosk / Transaction Kiosk /Touch screens, POS products like Thermal printers, barcode scanners, Customer display, complete POS systems and Multi port serial card solutions. Pushpam is already in to imports of all these products from Taiwan and other parts of the world and offers the complete solution and best support for all these products. Pushpam has always believed in the best product and best support at the best price.