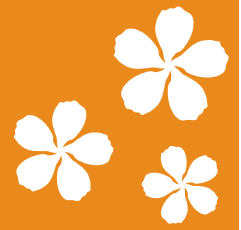


# Pushpam

Expanding IT Horizon



**PUSHPAM**

Estd. 1990

**Portable Data Collector BCP-5000 Series**



## Smart and Low-priced

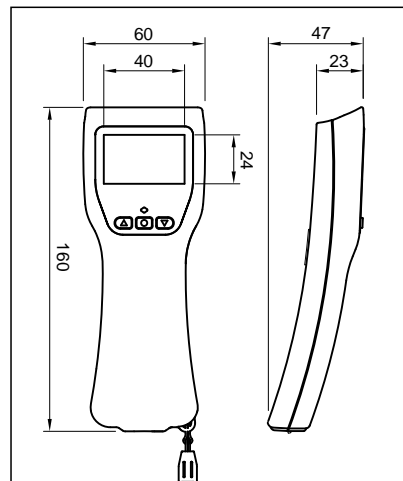
- **Barcode data collector with great shape display and editing triple - key.**
- **Equipped with outstanding power - saving scheme, the battery operated.**
- **Born to cope with long working-hour requirements.**
- **USB charging technique; offer an easy and convenient way for every day usage.**

Operation	
Nominal Scan Rate	100 scans/sec.
Wavelength	660nm±10nm for CCD model 670nm±10nm for Laser model
Maximum Pitch	±65°
Minimum Skew	±50°
Minimum BarWidth	4 mil
Scan Pattern	Single scan line
Indicator	Buzzer and LED
BufferCapacity	224KB for data retention
Triple Key	Shift, Confirm, Count
Display	LCD graphic 128x64 dot-matrix panel with back-light 16 character x 4 line, 8x16 dot display pattern
Communication Cable	USB cable or RS-232 cable
Readable BarCode Symbologies	EAN, UPC, I 2 of 5, CodabarCode 39, Code 128, China PostageCode 32, Code 11, MSI-Plessy, Code 4, RSS Codes
Electrical	
WorkingVoltage	3.2V to 4.2V
PowerConsumption (CCD model)	Scanner operating with LCD and back-light on 210mA Scanner sleep with LCD on: 2.5mA Scanner sleep with LCD off 2mA
PowerConsumption (Laser model)	Scanner operating with LCD and back-light on 140mA Scanner sleep with LCD on: 2.5mA Scanner sleep with LCD off 2mA
Battery	
BatteryType	Lithium-Ion
Battery Capacity	600mAh good for 30,000 scans per recharge
Charge	By USB cable or external power adapter
Time of Charge	About 2 hours
Software	
Utility	Windows based programming and pre-defined jobs down-load utility
SDK	Up-load communication SDK
Operation Environment	
OperatingTemperature	0°C ~ +45°C (32°F ~ 113°F)
StorageTemperature	-20°C ~ +65°C (-18°F ~ 149°F)
Relative Humidity	5% to 95% non-condensing
EMI	FCC class A
Ambient Light	3,000 to 8,000 lux

**FEATURES**

- Pre-defined job formats
- Display and triple-key provide simple navigation
- Alternative models of CCD and laser engine.
- USB or RS-232 two-in-one connectivity
- Rechargeable battery
- Scans with timestamp
- Easy-to-use download and configuration utility
- Communication SDK
- Portable or tethered

**DIMENSION**



**MODELNUMBER**

BCP-□□□ Barcode Portable Data Collector  
 5000 → CCD version  
 5120 → Laser version

Note : All the technical and commercial specifications of the product displayed within the brochure, box, media, color, price, etc. are subject to change without any prior notice. No claims would be entertained by Pushpam and/or its principal vendors in this regards. For all technical and commercial matter, jurisdiction would be Pune city only.

**Pushpam Group of Companies**

Pushpam Computers & Softwares

635/1-B, New Gajra Society, Bibwewadi, Pune - 411037

Pushpam Infotech Corp.

Tel. No. 91+20+2421-1279/5162/0280

Pushsoft Technologies

Fax: 91+20+24216455  
 Email: pushsoft@eth.net,  
 sachin@pushpam.com

Pushpam a 15 year old group is working in the various fields of Information Technology . Software development, Gas distribution, Computer hardware imports/ distribution , manufacturing of ayurvedic medicines, food processing and export etc. Working in cutting edge technology products, Pushpam always aggressive and efficient towards all the projects. In IT sector Pushpam is active since last 14 years and is currently working on technologies like Information Kiosk / Transaction Kiosk /Touch screens, POS products like Thermal printers, barcode scanners, Customer display, complete POS systems and Multi port serial card solutions. Pushpam is already in to imports of all these products from Taiwan and other parts of the world and offers the complete solution and best support for all these products. Pushpam has always believed in the best product and best support at the best price.

**Pushpam**

Expanding IT Horizon

